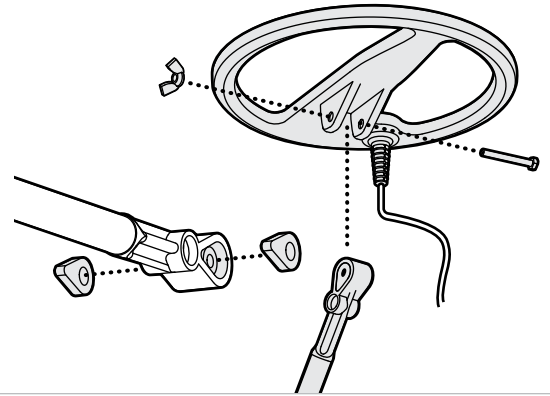
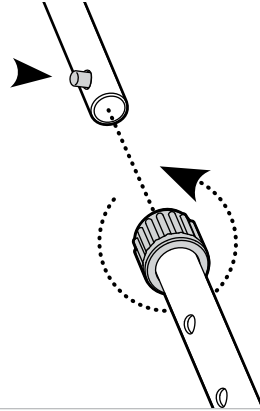


ASSEMBLY

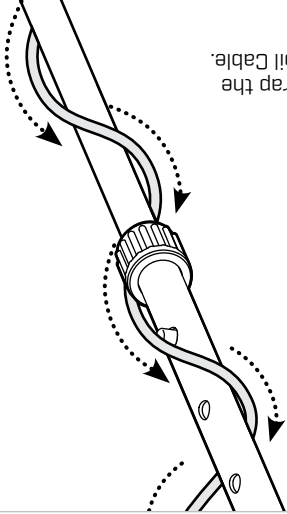
4 Attach the Lower Shaft to the Coil.



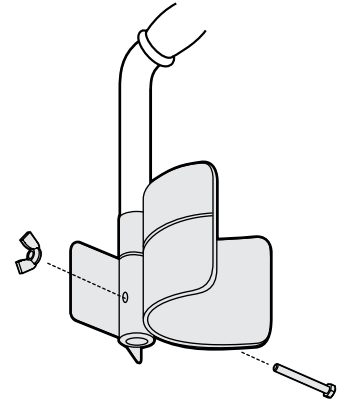
5 Attach the Upper Shaft to the Lower Shaft.



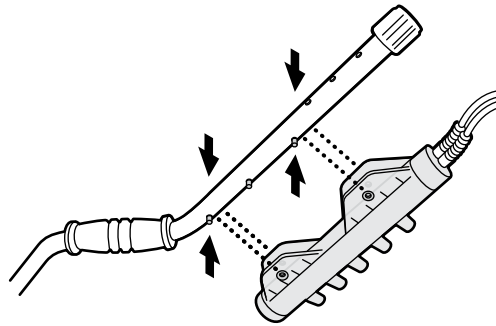
6 Wrap the Coil Cable.



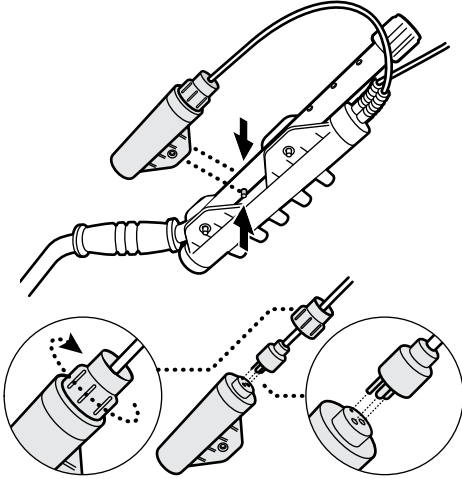
1 Attach the Armrest to the Upper Shaft.



2 Attach the Control Cylinder to the Upper shaft.



3 Connect the Battery Pack to the Upper Shaft.



EXCALIBUR II

GETTING STARTED GUIDE



www.minelab.com

Translations of this Getting Started Guide and the full length User Manual are available to download online.



QUICK START

DISCRIMINATE MODE

For detecting non-ferrous metals

- 1 Set the mode switch to Disc (Discriminate).



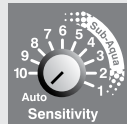
- 2 Turn the detector On by turning the Threshold control clockwise until it clicks. Continue turning until the audio tone becomes just audible.



- 3 Set the desired position of the Discriminate control.



- 4 Set the Sensitivity control to Auto or at the maximum manual setting without electrical interference.



- 5 Begin detecting.

PINPOINT / ALL METALS MODE

For detecting all types of metals

- 1 Set the mode switch to Pinpoint / All Metals.



- 2 Turn the detector On by turning the Threshold control clockwise until it clicks. Continue turning until the audio tone becomes just audible.



- 3 Set the Sensitivity control to Auto or at the maximum manual setting without electrical interference.



- 4 Begin detecting.

CONTROLS

EN English

1. Discriminate
2. Sub-Aqua
3. Auto
4. Sensitivity
5. Volume
6. Off
7. Threshold
8. Discriminate
9. Pinpoint / All Metals

FR Français

1. Discrimination
2. Sous-marin
3. Auto
4. Sensibilité
5. Volume
6. Désactivé
7. Niveau Seuil
8. Discrimination
9. Centrage / Tous Métaux

ES Español

1. Discriminación
2. Bajo el agua
3. Automático
4. Sensibilidad
5. Volumen
6. Apagado
7. Nivel del Umbral
8. Discriminación
9. Localizar / Todos los metales

ZH 中文

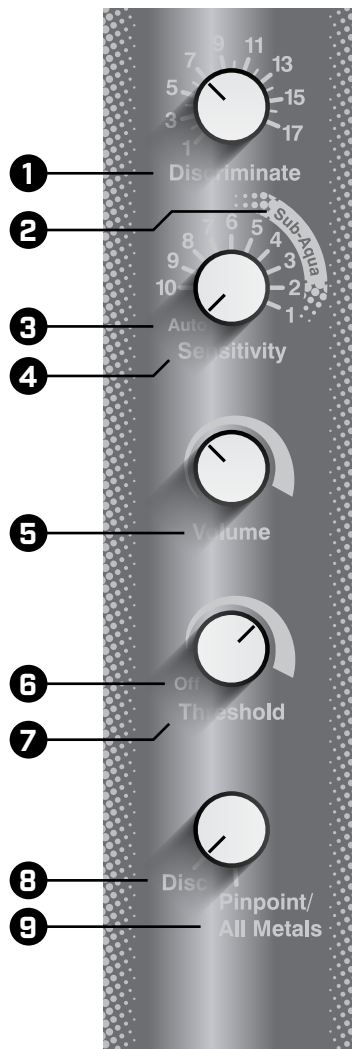
1. 识别
2. 水下
3. 自动
4. 灵敏度
5. 音量
6. 关闭
7. 阈值
8. 识别
9. 精确定位 / 所有金属

IT Italiano

1. Discriminazione
2. Subacqueo
3. Auto
4. Sensibilità
5. Volume
6. Spento
7. Livello Soglia Audio
8. Discriminazione
9. Localización / Tutti i Metalli

RU Русский

1. Дискриминатор
2. Подводный
3. Авто
4. Чувствительность
5. Громкость
6. Выкл
7. Порог. тон
8. дискриминатор
9. Центр цели / поиском всех металлов



BATTERY

Low battery alarm

When the battery level is very low, the threshold tone will gradually increase to a loud continuous signal.

Charging

The Excalibur II is supplied with an adaptor plug and a mains charger.

The charger will charge the batteries from local mains (AC) power outlets.

